



US00D630147S

(12) **United States Design Patent**
Sands

(10) **Patent No.:** **US D630,147 S**

(45) **Date of Patent:** **** Jan. 4, 2011**

(54) **WHEEL WITH 5 SPLIT STRAIGHT SPOKES**

(75) Inventor: **Roland Sands**, La Palma, CA (US)

(73) Assignee: **Performance Machine, Inc.**, La Palma, CA (US)

(**) Term: **14 Years**

(21) Appl. No.: **29/367,407**

(22) Filed: **Aug. 6, 2010**

(51) **LOC (9) Cl.** **12-16**

(52) **U.S. Cl.** **D12/211**

(58) **Field of Classification Search** D12/204–213;
301/37.101, 64.101, 65, 64.201

See application file for complete search history.

(56) **References Cited**

U.S. PATENT DOCUMENTS

D485,524 S *	1/2004	Bhambra	D12/209
D490,760 S	6/2004	Sands		
D493,763 S	8/2004	Sands		
D494,119 S *	8/2004	Sands	D12/209
D494,122 S *	8/2004	Sands	D12/209
D495,284 S	8/2004	Sands		
D514,047 S	1/2006	Sands		
D514,048 S	1/2006	Sands		
D514,051 S	1/2006	Sands		

D530,259 S *	10/2006	Sands	D12/211
D531,952 S	11/2006	Sands		
D537,400 S	2/2007	Sands		
D549,632 S	8/2007	Sands		
D579,397 S *	10/2008	Osborne	D12/211
D584,672 S *	1/2009	Osborne	D12/209
D586,280 S *	2/2009	Blasi	D12/209
D608,714 S *	1/2010	Bucher et al.	D12/209
D614,106 S *	4/2010	Junker	D12/209
D620,865 S *	8/2010	Park	D12/209
D621,767 S *	8/2010	Ectors et al.	D12/209

* cited by examiner

Primary Examiner—Stacia Cadmus

(74) *Attorney, Agent, or Firm*—David Pressman

(57) **CLAIM**

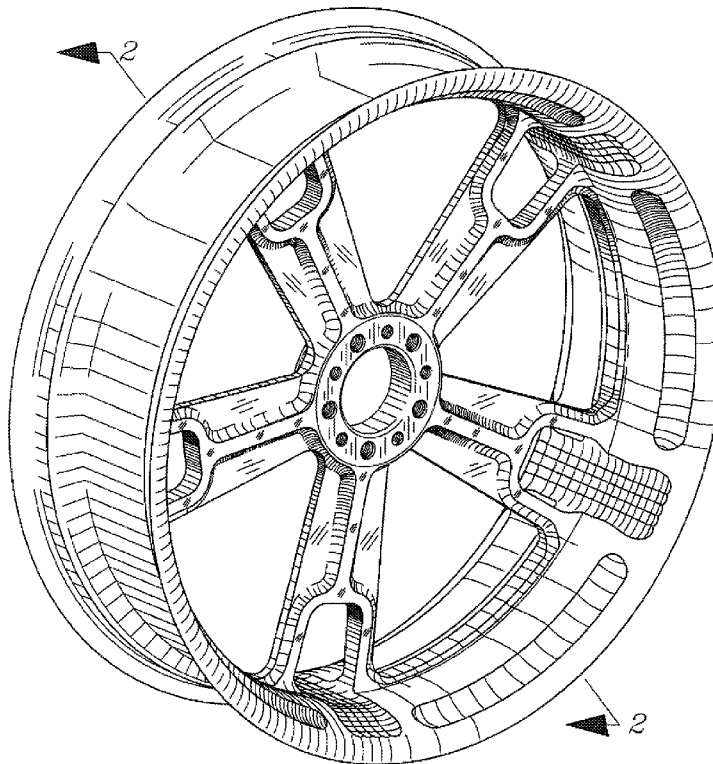
The ornamental design for a wheel with 5 split straight spokes, as shown and described.

DESCRIPTION

FIG. 1 is a perspective view of the front or outer side of my wheel with 5 split straight spokes taken from slightly above and to one side. The reverse or inner side of the wheel is identical to the front side; and,

FIG. 2 is a cross-sectional view of the wheel of FIG. 1 taken along the lines 2—2 of FIG. 1.

1 Claim, 2 Drawing Sheets



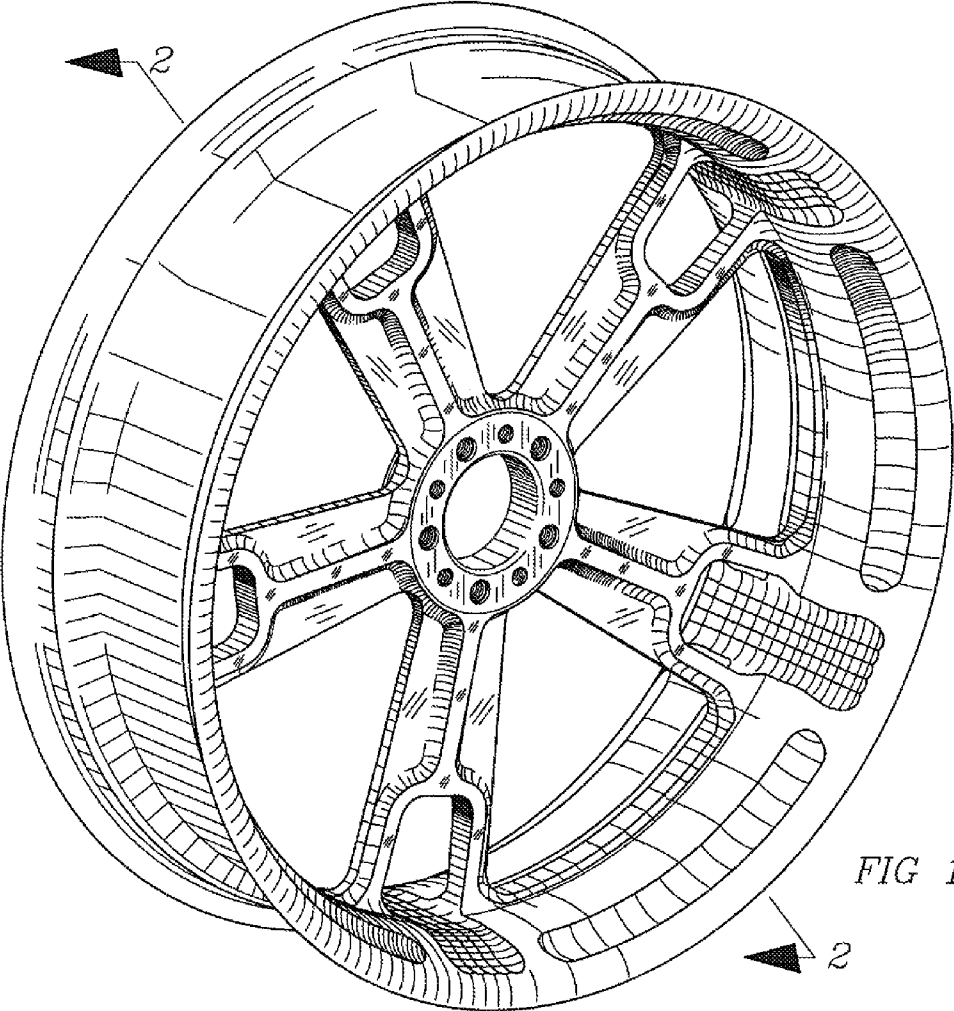


FIG 1

